

1 INSTALLATION OF CASING A FILO MURO

To install the casing, first check that there is sufficient space for it.
 Example:
 casing for security door (clear opening) 90 x 210 cm
 rough wall opening (gross opening) 108, 5 x 217 cm

Open all the clamps, place the casing against the wall and mark the installation points.

Warning:

- Position the casing on the finished floor (P.F.). Remove the tie rods once the mortar has set (after 24 hours).
- The galvanized U-brackets, where the tie rods are anchored, will then be used to anchor the frame.
- Before installation, paint the "pocket" compartment on the hinge side with white spray paint, because once the security door is installed, it will no longer be accessible, and if it remains dirty with plaster, it will be visible when the security door is opened.

• HANDLING OF SECURITY DOOR

In order to guarantee the safety of the operator and the people exposed, use an adequate mode of transportation. Upon delivery the security door must be handled by at least two people, making sure that the vertical arrow on the packaging is facing up.

2 ANCHORING THE SECURITY DOOR

Remove the locking overbuilding occurred, clean up casing from any residual plaster.

- Recommended assembly procedure: screw the partial opening hook to the frame, pull casing over to the security door and frame assembled, pinning the third screw from the bottom, hinge for security side, place well the frame into casing taking care to put the inside frame flush with the plaster and tighten the screws.
- Other assembly process: at the discretion of the installer is to remove the frame from the security door, screw the partial opening hook to the frame, anchor the frame to casing, place the rod of the flag hinges at a 90° and match door and frame by inserting the two rods at once to the **point of reference** on the hinge and tighten the screw (drawing 5 position B).

3 SPRING LATCH

Loosen the spring latch as much as possible inwards. Make all the adjustments in steps 4 and 5, and finally adjust the latch so that the security door does not move.

4 UNIFORMITY

In order to security door close properly it is necessary to regulate the anchoring. Begin regulating preferably from the two hinges towards the bottom.

5 HINGE ADJUSTMENT

HINGE ADJUSTMENT

A VERTICAL ADJUSTMENT

The security door raises turning the screw clockwise, it lowers counterclockwise.

B HORIZONTAL ADJUSTMENT

By loosening the screw releases the locking rod into the seat of the security door and you can register more or less at the **point of reference** that is on the hinge. Remove the security door from its hinges if necessary.

C REGISTER HINGES FLATNESS

If the security door bounces off when you close it then you have to work on the hinge flatness adjuster.
 Open the security door with an angle greater than 90°, put a thickness of 5-6 mm on the floor at the tip of the security door, loosen the screw (B), slip off the rod to find out the pair screws (C). Screwing in a clockwise direction the security door moves inward (in this way you register the security door so that it does not bounce off when it closes). Unscrewing counter-clockwise, the security door moves outward. The standard registration is 2 mm to the external and 7 mm to the internal. When you register it is important that the pair screws are equally adjusted, or the rod of the hinge does not fall in place.

• INTERNAL PANEL REGISTRATION

Once you have completed steps 1 to 5, check that the internal panel is properly centered with respect to the wall.
 - if the panel is not centered, remove the fixing screws under the internal tubular gasket, center the panel with respect to the wall, using shims if necessary, and screw all the fixing screws under the tubular gasket.
 If the space on the 3 sides is not at least 2 mm, the panel must be cut.
 Alternatively, remove 2 cm of plaster until the screws on the hinge side are exposed, behind the metal profile, loosen the screw and gain 1-2 mm in width. You can also tap carefully with a wooden dowel.

6 REGISTERING DRAFT EXCLUDER

Once the security door has been regulated, install the self-leveling draft excluder. Screwing clockwise decreases, that is, it is lowered down less. Screwing counterclockwise increases, that is, it is lowered more. Regulate the draft excluder so that it is lowered at the last moment so as to avoid it dragging along the floor. Attention: if the door is placed on a parquet floor that has not been stained, leave the draft excluder up off the ground so that it does not stick.

7 ACCESSORY INSTALLATION

In the box set you will find everything you will need. Perform the mounting as it is done in the picture. The holes are already made. Recommendations: When mounting the handle you have to lift up the cover, place the handle on the panel, tighten the screws on the washer, replace the cover, and then tighten the allen.

• INSTRUCTIONS FOR USE AND ROUTINE MAINTENANCE

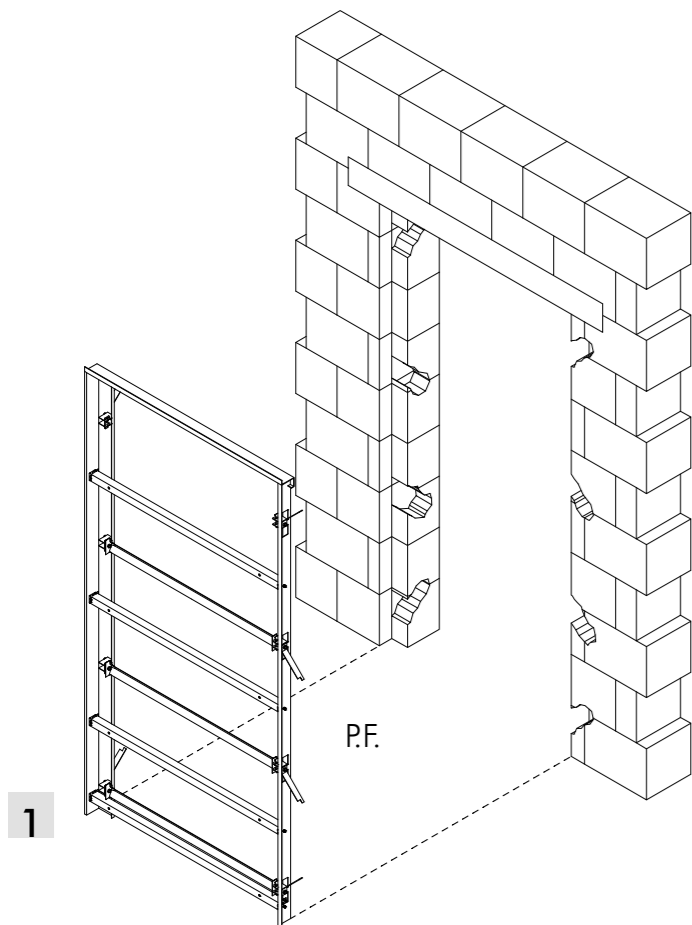
The security door must always be opened and closed using your hands and always accompanied to the point of closure. For maximum security, always close the security door with all the locks and remove the key.

Never leave the security door open, especially in a position where there is a lot of wind.

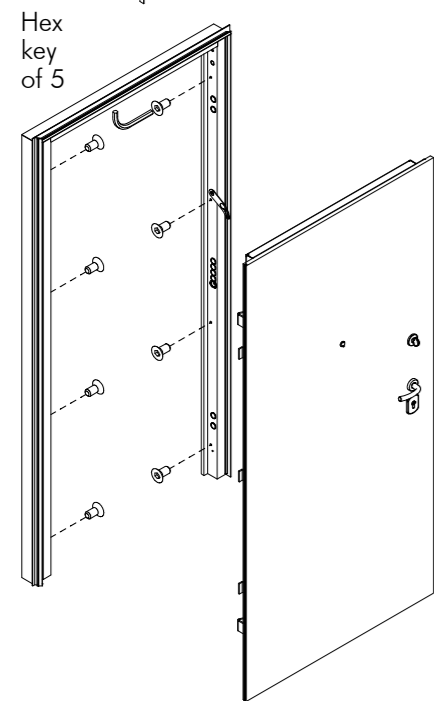
Cleaning must be carried out with water and a non-abrasive neutral detergent, then dry with a cloth.

Once a year, lubricate the following with specific non-oil-based products:

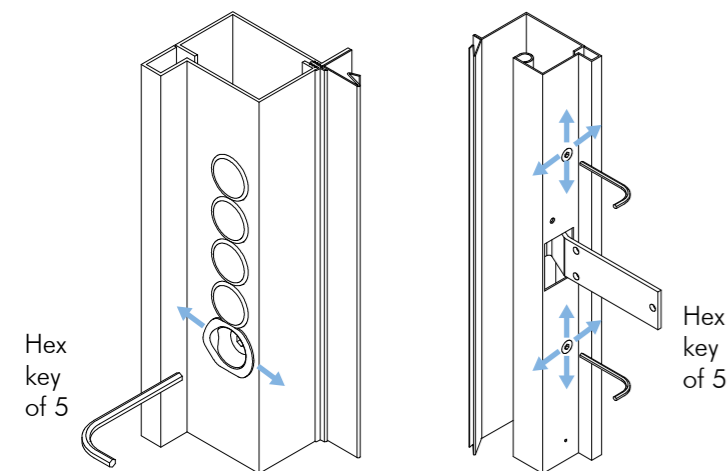
- the cylinder where the key is inserted;
- the hinges by inserting the spray nozzle into the 6 mm hole for at least 4 cm (drawing 5 OIL);
- the latch, only the bevelled part.



1

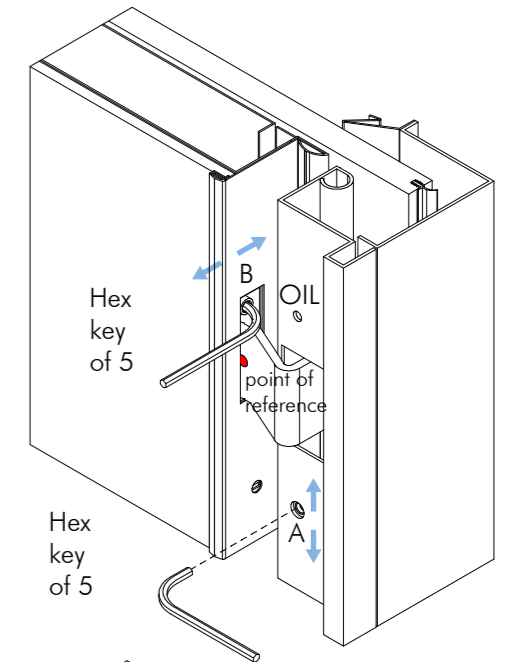


2

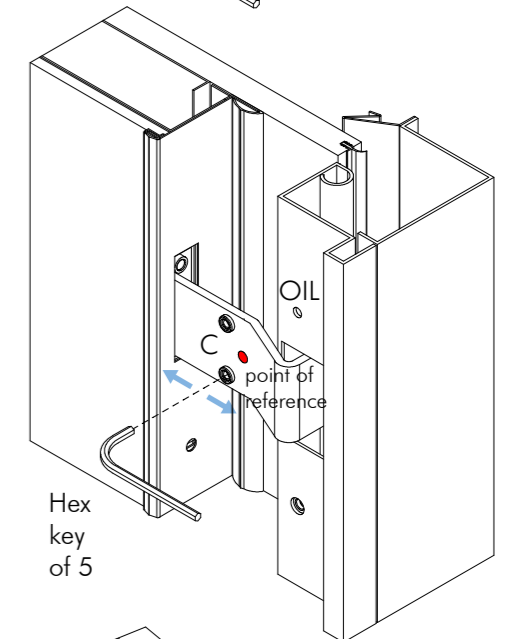


3

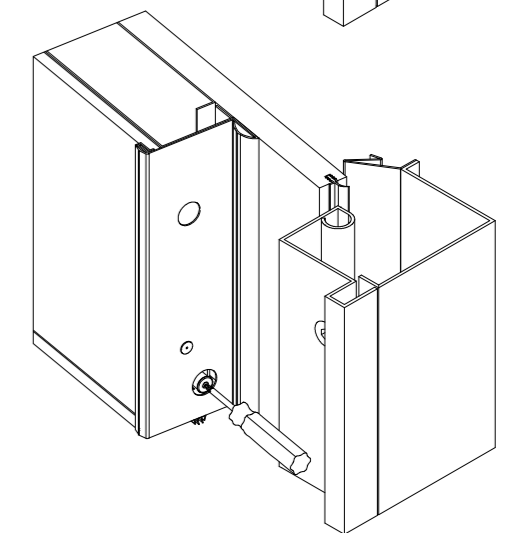
4



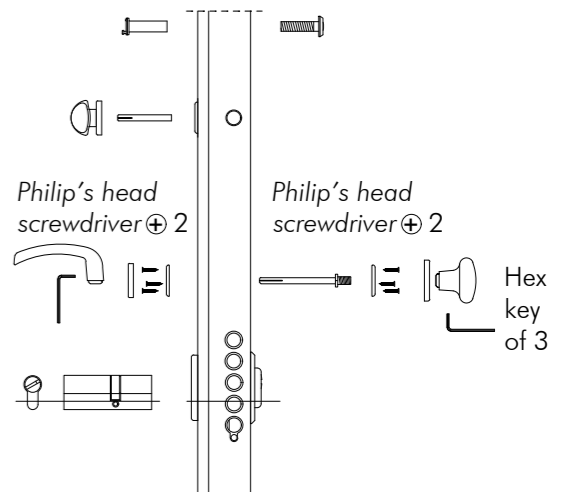
5



Hex key of 5



6



7

Hex key of 3