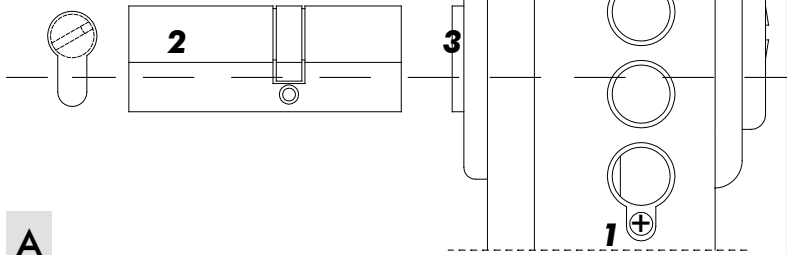


Instructions Installation, use and maintenance Cylinder and Defender

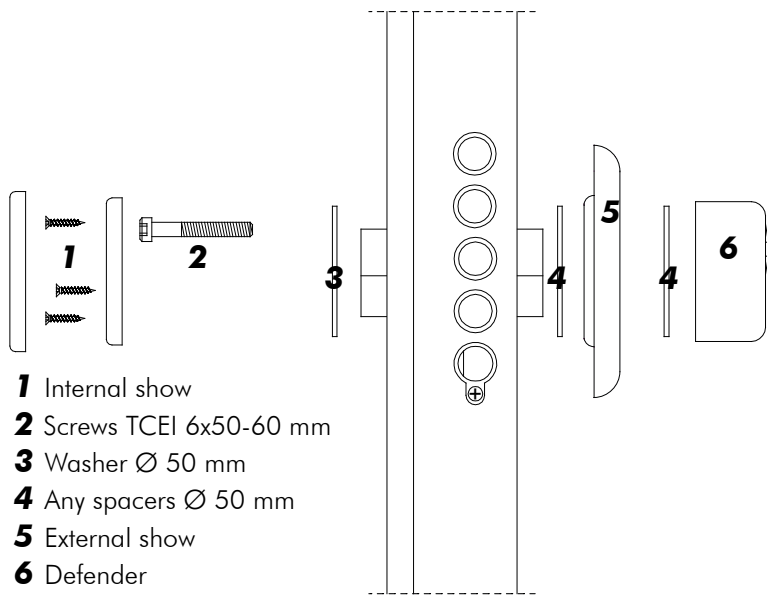
- 1** Unscrew the screw on the front and push it against the lock
- 2** Pull the cylinder out from the inside
- 3** If it does not come out, also loosen the screws on the inside of the defender



A CYLINDER DISASSEMBLY

B REMOVING THE DEFENDER

Before removing the cylinder, it is important to remove the defender with the spacers and the inner washer to prevent them from falling inside the security door. When inserting the cylinder, make sure it is in the working position before tightening the package, otherwise you risk damaging the lock.

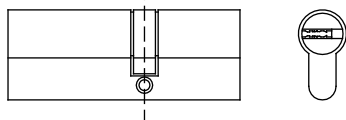


- 1** Internal show
- 2** Screws TCEI 6x50-60 mm
- 3** Washer Ø 50 mm
- 4** Any spacers Ø 50 mm
- 5** External show
- 6** Defender

C CYLINDER MEASUREMENTS

MINIMUM MEASURES

50 INSIDE 35 OUTSIDE



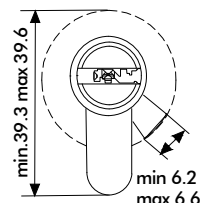
DOLMEN and DOLMEN CS Model

Inside	Outside
50 for 7 mm panel thickness	35 for 7-12 mm panel thickness
50 for 7 mm panel thickness	40 for 13-15 mm panel thickness (ex. Pantographed)
50 for 7 mm panel thickness	50 for 16-24 mm panel thickness (ex. Solid Wood)
60 for 8-20 mm panel thickness	35 for 7-12 mm panel thickness
60 for 8-20 mm panel thickness	40 for 13-15 mm panel thickness (ex. Pantographed)
60 for 8-20 mm panel thickness	50 for 8-24 mm panel thickness
40 for 7 mm panel thickness (low badge)	80 for 25-50 mm panel thickness

CS Boiserie and CS FILO MURO Model

Inside	Outside
60 for 18 mm panel thickness	35 for 7-12 mm panel thickness
60 for 18 mm panel thickness	40 for 13-15 mm panel thickness (ex. Pantographed)
60 for 18 mm panel thickness	50 for 16-24 mm panel thickness (ex. Solid Wood)

ATTENTION:
Our locks work correctly using cylinders with unified profile cams and corresponding to the dimensions indicated in the drawing on the side.



ATTENTION!
Master keys must always be delivered in a sealed envelope.