

1 INSTALLATION OF CASING B

To install the casing, first check that there is sufficient space for it.
 Example:
 casing for security door (clear opening) 90 x 210 cm
 rough wall opening (gross opening) 103 x 216.5 cm, also consider the space required for any wooden blocks, for an additional 2 cm per side

Open all the clamps, place the casing against the wall and mark the installation points.

Warning:

- Position the casing on the finished floor (P.F.). Remove the tie rods once the mortar has set (after 24 hours).
- The galvanized U-brackets, where the tie rods are anchored, will then be used to anchor the frame.

The casing has 7 clamps on each side, which are more than sufficient for anchoring.

If, for some reason, it is not possible to cement one (presence of a light switch), only 4 clamps on each side are sufficient for installation. The important thing is that the first clamp at the bottom is always cemented.

• HANDLING OF SECURITY DOOR

In order to guarantee the safety of the operator and the people exposed, use an adequate mode of transportation. Upon delivery the security door must be handled by at least two people, making sure that the vertical arrow on the packaging is facing up.

2 ANCHORING THE SECURITY DOOR

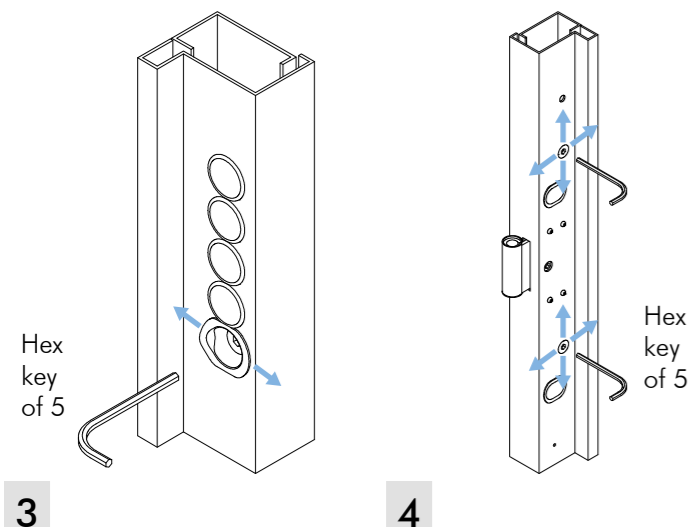
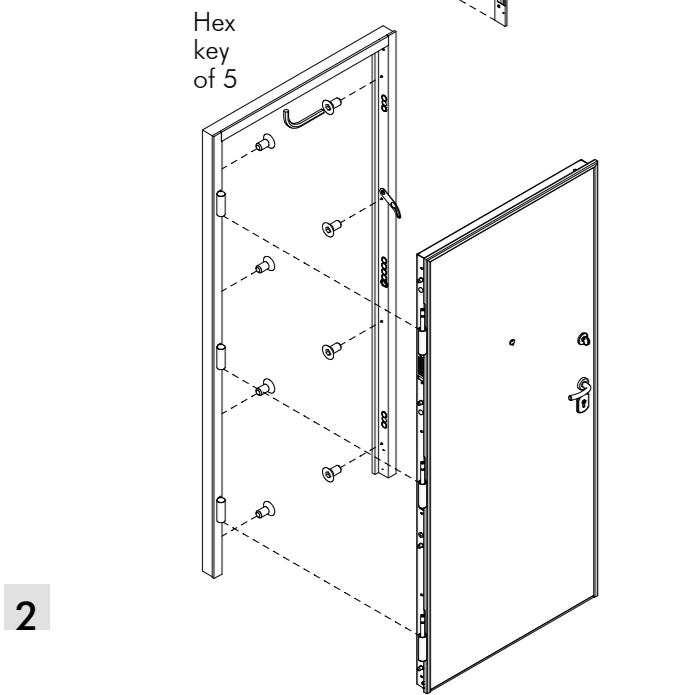
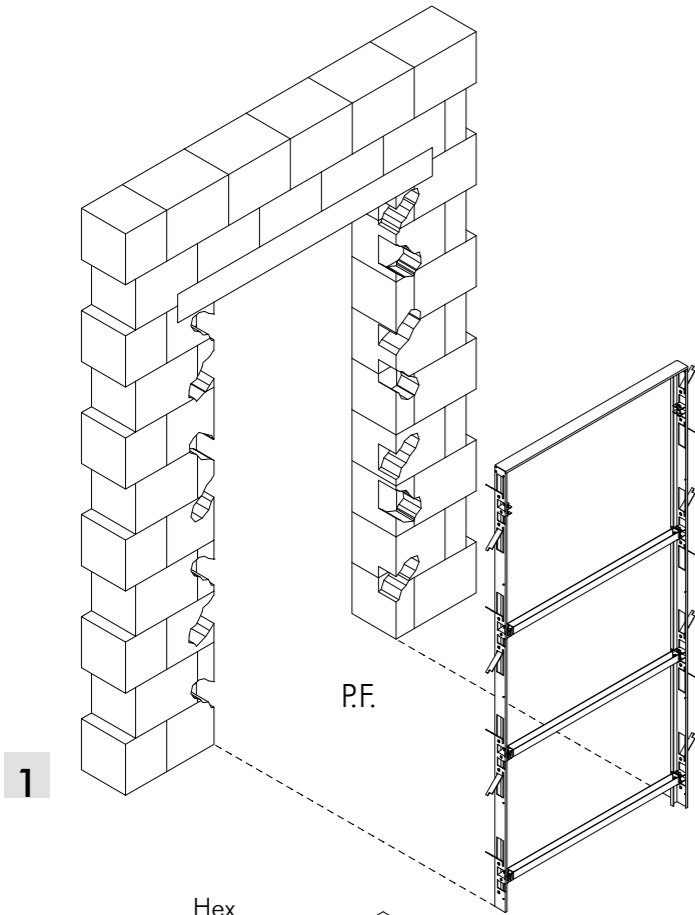
Remove the rods after the cementing has finished, re-clean the casing of any plaster residue, screw the partial opening hook to the frame, insert the frame and secure it with the 8 screws TSPEI 8x20 that are given. Screw the frame as closely as possible to the wall. Lastly, put the security door on the hinges, insert the TCEI 12x110 bolt, previously greased, from the bottom, screw until the security door is raised by 6 mm.

3 SPRING LATCH

Loosen the spring latch as much as possible inwards. Make all the adjustments in steps 4 and 5, and finally adjust the latch so that the security door does not move.

4 UNIFORMITY

In order to security door close properly it is necessary to regulate the anchoring. Begin regulating preferably from the two hinges towards the bottom.



5 HINGE ADJUSTMENT

The Dolmen Class 4 hinge has three adjustment points:

- vertical (y) 10 mm hex key;
- horizontal (x) 5 mm hex key;
- planar (z) 4 mm hex key.

Once the security door is centered inside the frame and squared with the floor, tighten the grub screw (6 mm hex key). Finally, adjust the latch to prevent the security door from moving. Warning: before inserting the TCEI 12x110 bolt, grease it so that the security door does not squeak.

6 REGISTERING DRAFT EXCLUDER

Once the security door has been regulated, install the self-leveling draft excluder. Screwing clockwise decreases, that is, it is lowered down less. Screwing counterclockwise increases, that is, it is lowered more. Regulate the draft excluder so that it is lowered at the last moment so as to avoid it dragging along the floor. Attention: if the door is placed on a parquet floor that has not been stained, leave the draft excluder up off the ground so that it does not stick.

7 ACCESSORY INSTALLATION

In the box set you will find everything you will need. Perform the mounting as it is done in the picture. The holes are already made. Recommendations: When mounting the handle you have to lift up the cover, place the handle on the panel, tighten the screws on the washer, replace the cover, and then tighten the allen.

• INSTRUCTIONS FOR USE AND ROUTINE MAINTENANCE

The security door must always be opened and closed using your hands and always accompanied to the point of closure. For maximum security, always close the security door with all the locks and remove the key. Never leave the security door open, especially in a position where there is a lot of wind.

Cleaning must be carried out with water and a non-abrasive neutral detergent, then dry with a cloth.

Once a year, lubricate the following with specific non-oil-based products:

- the cylinder where the key is inserted;
- the hinges at the point where the pin is inserted (drawing 2);
- the latch, only the bevelled part.

