

### 1 INSTALLATION OF CASING B

To install the casing, first check that there is sufficient space for it.  
 Example:  
 casing for security door (clear opening) 90 x 210 cm  
 rough wall opening (gross opening) 103 x 216.5 cm, also consider the space required for any wooden blocks, for an additional 2 cm per side

Open all the clamps, place the casing against the wall and mark the installation points.

Warning:

- Position the casing on the finished floor (P.F.). Remove the tie rods once the mortar has set (after 24 hours).
- The galvanized U-brackets, where the tie rods are anchored, will then be used to anchor the frame.

The casing has 7 clamps on each side, which are more than sufficient for anchoring.  
 If, for some reason, it is not possible to cement one (presence of a light switch), only 4 clamps on each side are sufficient for installation. The important thing is that the first clamp at the bottom is always cemented.

### • HANDLING OF SECURITY DOOR

In order to guarantee the safety of the operator and the people exposed, use an adequate mode of transportation. Upon delivery the security door must be handled by at least two people, making sure that the vertical arrow on the packaging is facing up.

### 2 ANCHORING THE SECURITY DOOR

Remove the rods after the cementing has finished, re-clean the casing of any plaster residue, screw the partial opening hook to the frame, insert the frame and secure it with the 8 screws TSPEI 8x20 that are given. Screw the frame as closely as possible to the wall. Lastly, put the security door on the hinges.

### 3 SPRING LATCH

Loosen the spring latch as much as possible inwards. Make all the adjustments in steps 4 and 5, and finally adjust the latch so that the security door does not move.

### 4 UNIFORMITY

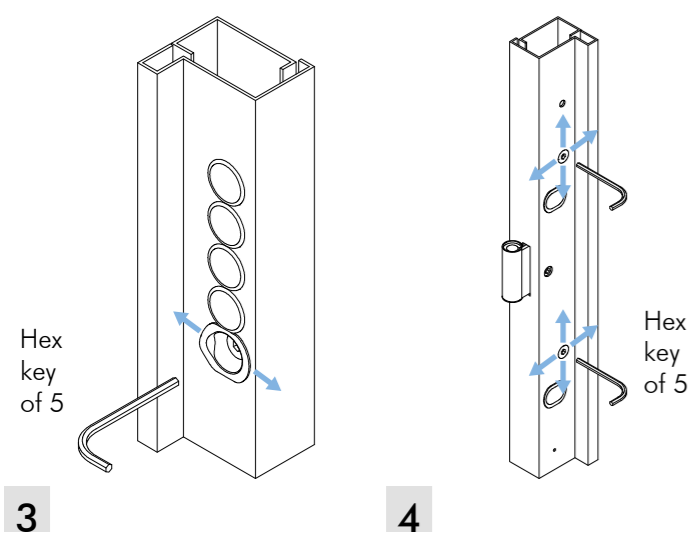
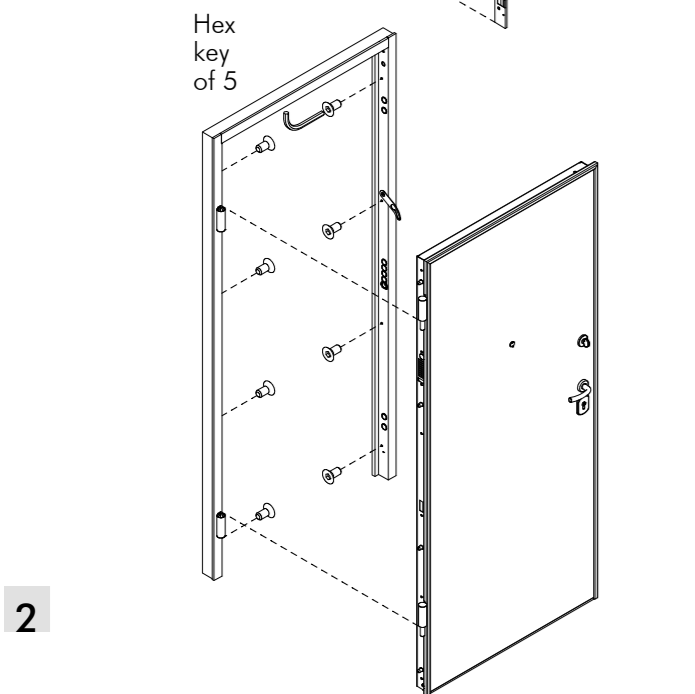
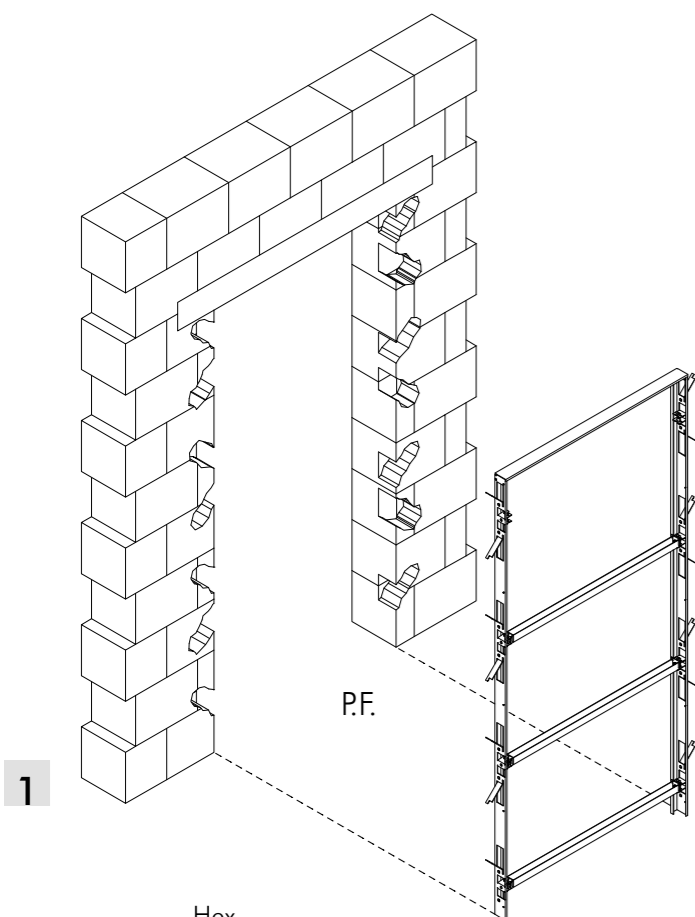
In order to security door close properly it is necessary to regulate the anchoring. Begin regulating preferably from the two hinges towards the bottom.

### 5 HINGE ADJUSTMENT

The hinges can be adjusted both vertically (y) and horizontally (x). Once the security door has been centered inside the frame and squared with respect to the floor, leave it in the position found without tightening any other screws. Finally, adjust the latch (point 3) to prevent the security door from moving.

### 6 3D HINGE REGISTRATION (optional)

The registration of the planarity (axis z) is an option and must be requested to order. You can have on the Dolmen model Class 3 or Class 4 (mandatory).  
 The adjustment is made by loosening the four screws on the frame with a "hex key of 4", with the security door hinged open at 90 °, pulling towards the inside of the house or pushing outwards. This operation can be done for the first time with wooden wedges.  
 The planarity adjustment is designed to avoid the "spring effect" created on the hinged side knocker.



### 7 REGISTERING DRAFT EXCLUDER

Once the security door has been regulated, install the self-leveling draft excluder. Screwing clockwise decreases, that is, it is lowered down less. Screwing counterclockwise increases, that is, it is lowered more. Regulate the draft excluder so that it is lowered at the last moment so as to avoid it dragging along the floor. Attention: if the door is placed on a parquet floor that has not been stained, leave the draft excluder up off the ground so that it does not stick.

### 8 ACCESSORY INSTALLATION

In the box set you will find everything you will need. Perform the mounting as it is done in the picture. The holes are already made. Recommendations: When mounting the handle you have to lift up the cover, place the handle on the panel, tighten the screws on the washer, replace the cover, and then tighten the allen.

### 9 SPECIAL ADJUSTMENTS

- The "hinge adjustment tool" is used when normal adjustments are not sufficient. It is usually used to adjust the flatness of the security door on the hinge side or when the security door pulls when closing. By slightly bending the hinge body inwards or outwards, the space between the security door and the frame on the hinge side is increased or decreased. (see Figure 1)

- When the security door must be installed out of plumb, which usually occurs when the floor is not level, it is possible that once opened, it will close on its own. To remedy this, you can offset the alignment of the hinge pin by 1 mm, creating a brake inside its seat so that the security door remains stationary where you leave it. (see Figure 2)

- The flatness of the security door with respect to the frame can also be adjusted by placing, for example, a shim at the bottom edge on the lock side and applying pressure to the top edge. In this way, the security door can be adjusted by a few millimeters without having to move the anchoring registers.

- To resolve certain problems with the fit between the small and large doors or excessive gaps between the door panel and frame, a 1-2 mm spacer can be placed under the external panel by removing the strip. This method can obviously only resolve aesthetic problems, not functional ones.

### • INSTRUCTIONS FOR USE AND ROUTINE MAINTENANCE

The security door must always be opened and closed using your hands and always accompanied to the point of closure. For maximum security, always close the security door with all the locks and remove the key.  
 Never leave the security door open, especially in a position where there is a lot of wind.  
 Cleaning must be carried out with water and a non-abrasive neutral detergent, then dry with a cloth.  
 Once a year, lubricate the following with specific non-oil-based products:  
 - the cylinder where the key is inserted;  
 - the hinges at the point where the pin is inserted (drawing 2);  
 - the latch, only the bevelled part.

